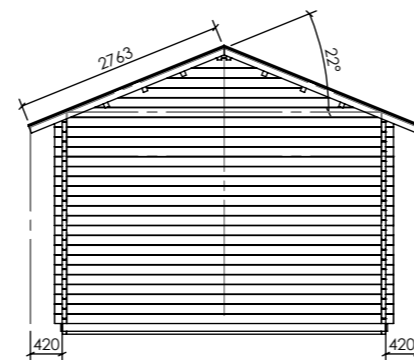
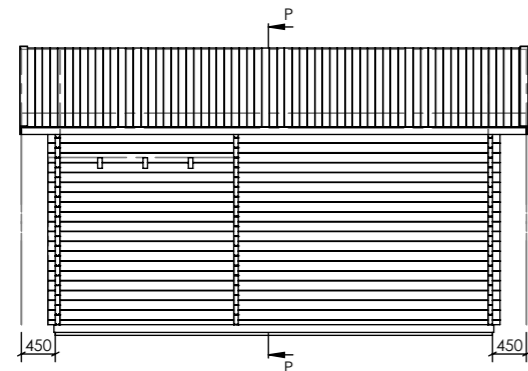


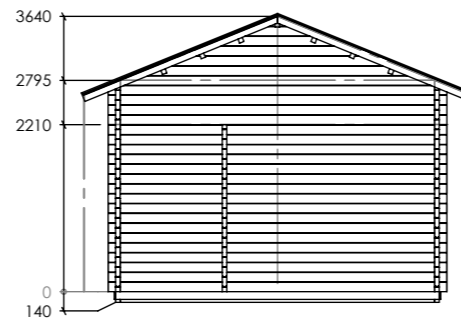
Wall 1



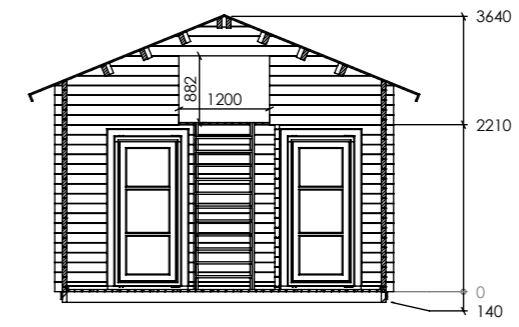
Wall A



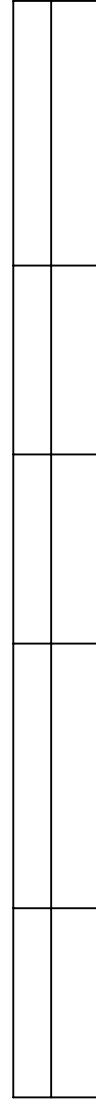
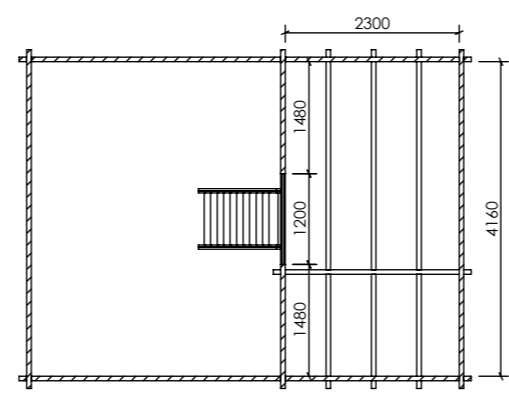
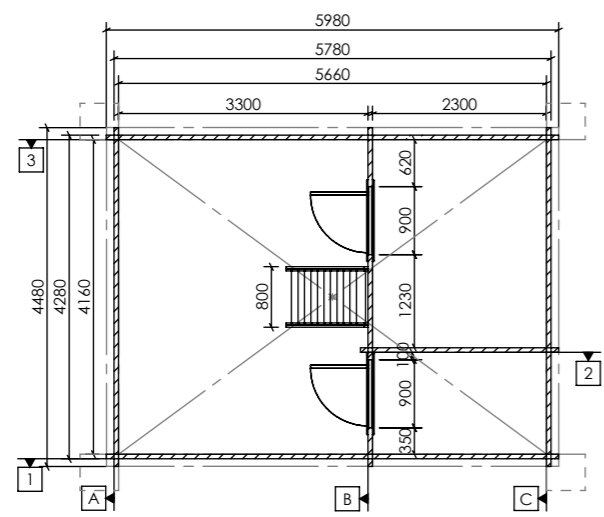
Wall 3



Wall C



SECTION P-P



A

| | | | | | |
|--|--|--|--|--|--|
| | | | | | |
| | | | | | |

Timmerstomme 25 NB5843(60)

M 1:100 A3
 Facades/Plan