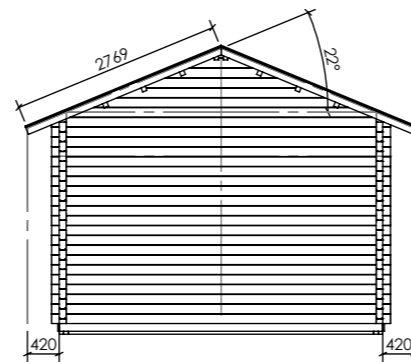
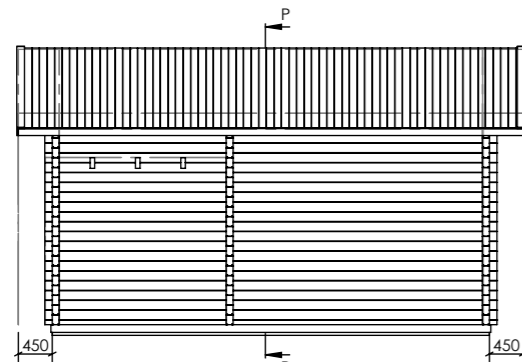


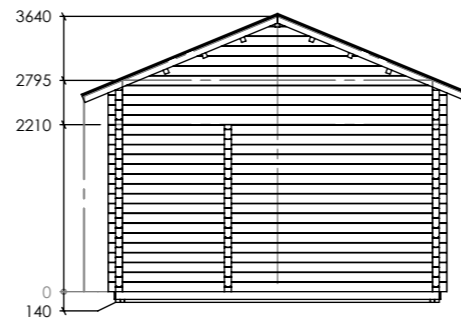
Wall 1



Wall A



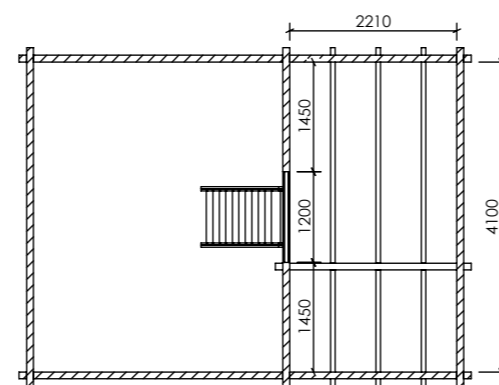
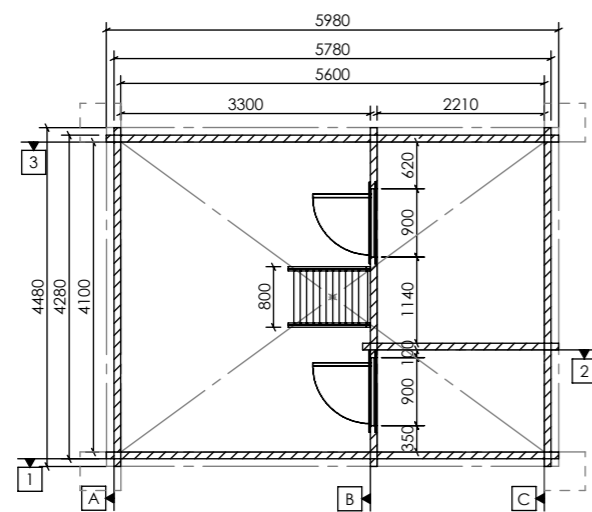
Wall 3



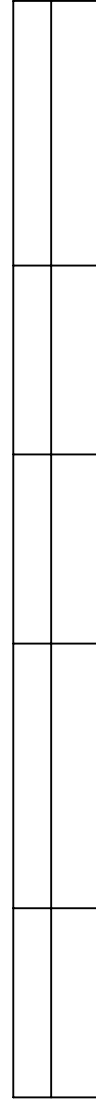
Wall C



SECTION P-P



A



1

Timmerstomme 25 NB5843(90)

M 1:100 A3
 Facades/Plan